

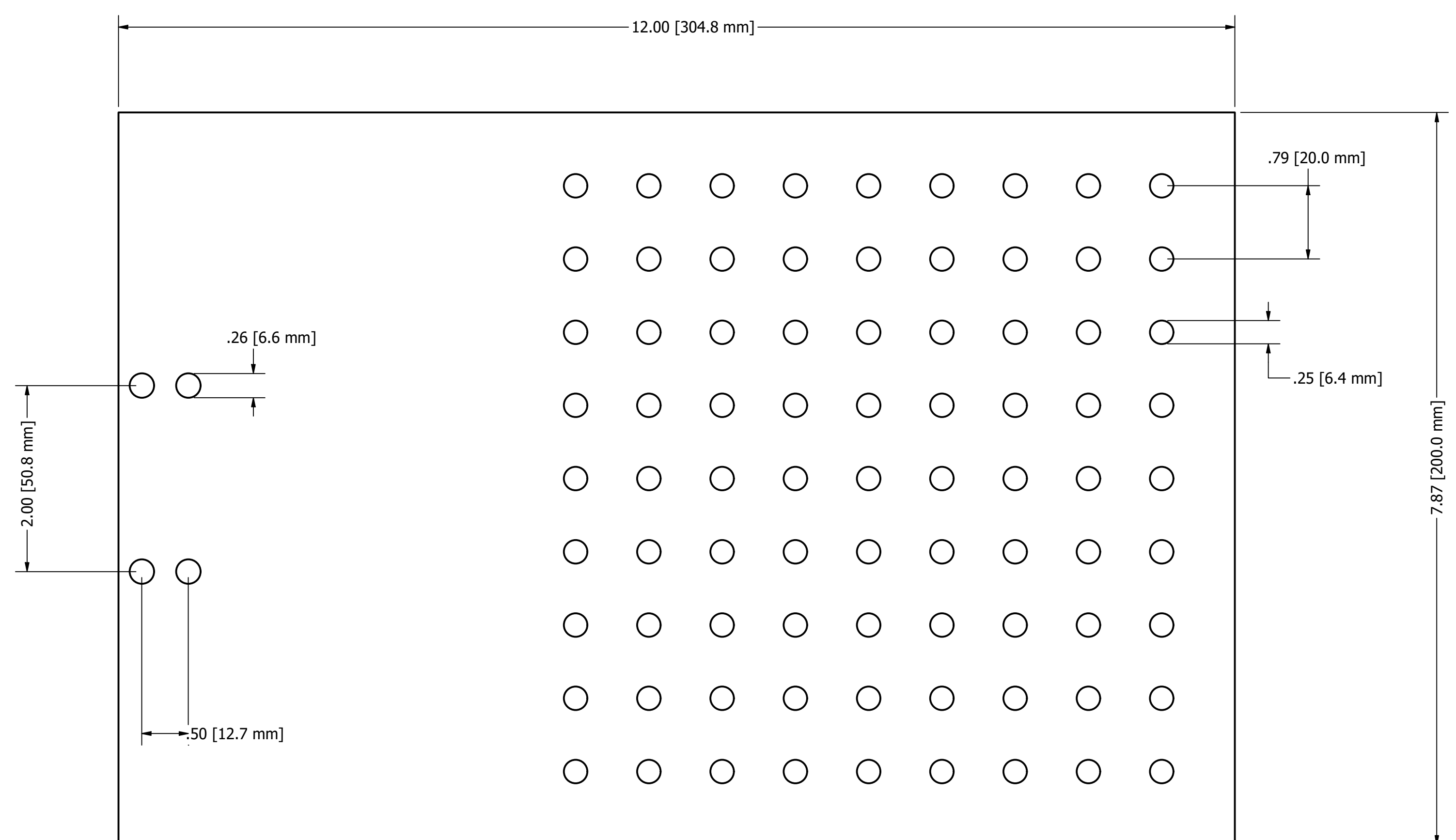
8 7 6 5 4 3 2 1

D

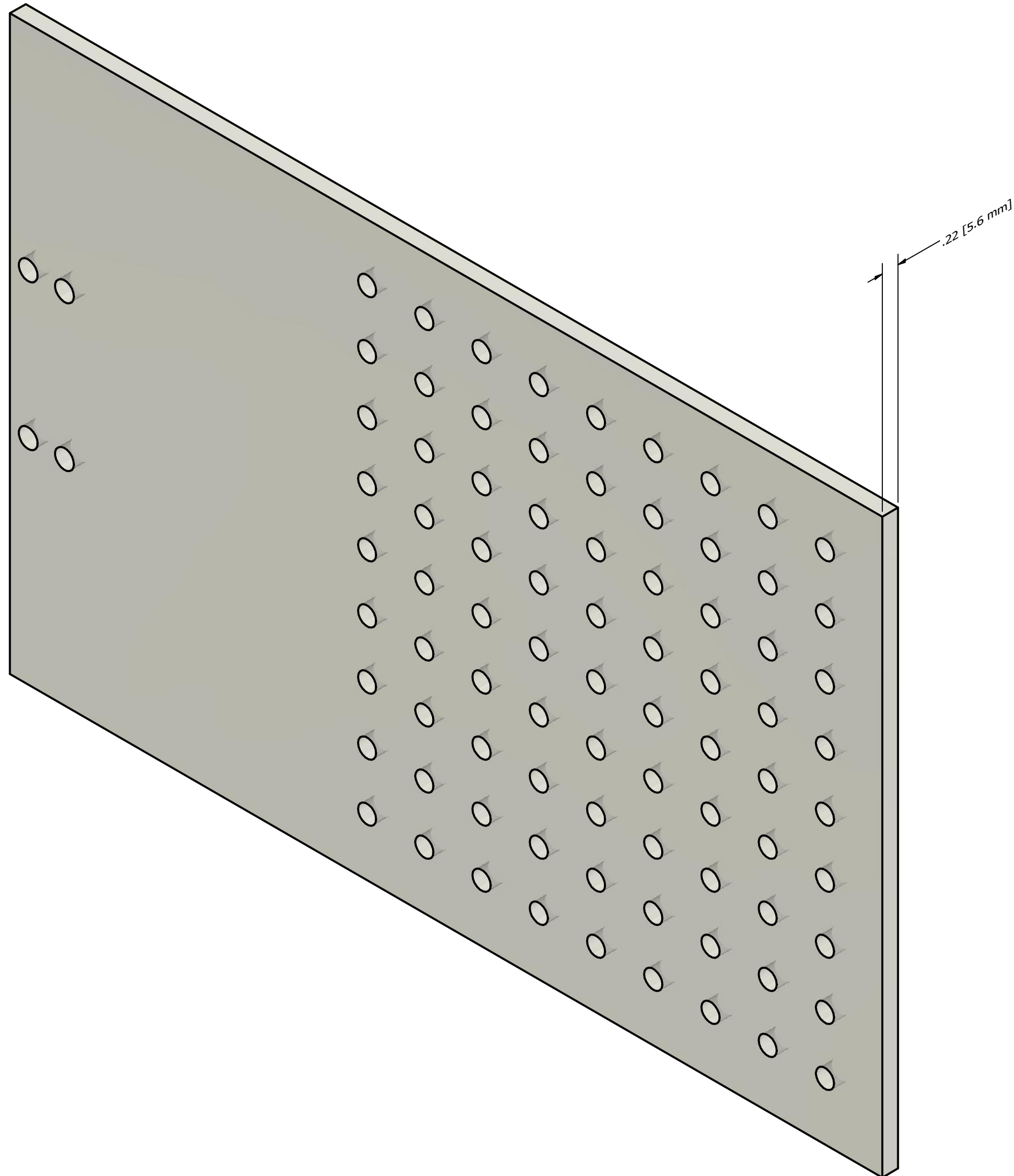
C

B

A



FRONT VIEW  
SCALE 1 : 1



DRAWN	Ivan	5/25/2020		
CHECKED			TITLE	
QA			Acrylic Plate (9x9 hole pattern)	
MFG			SIZE	DWG NO
APPROVED			D	AcrylicPlateDrawing
			SCALE	1 : 1
				SHEET 1 OF 1

8 7 6 5 4 3 2 1

A